

**J.H. SEMP AND SONS,
MACHINING, INC.**

**790 NORTH NINTH AVENUE
BRIGHTON, COLORADO 80603
PHONE: (303)659-8480
FAX: (303)659-8268
WWW.SEMPANDSONS.COM**

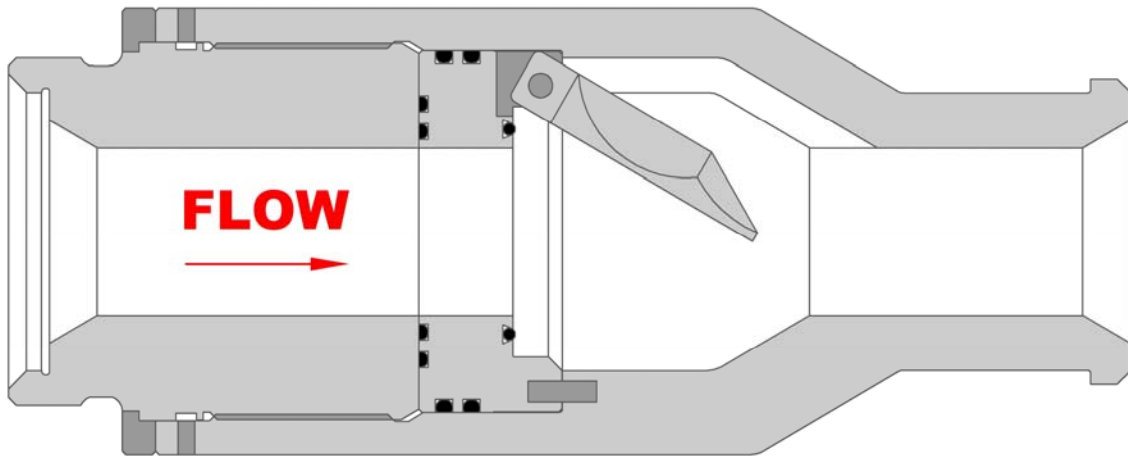
**HIGH-PRESSURE WELL
STIMULATION
COMPONENTS**

**CHECK VALVE
MODEL JHS-CV1**

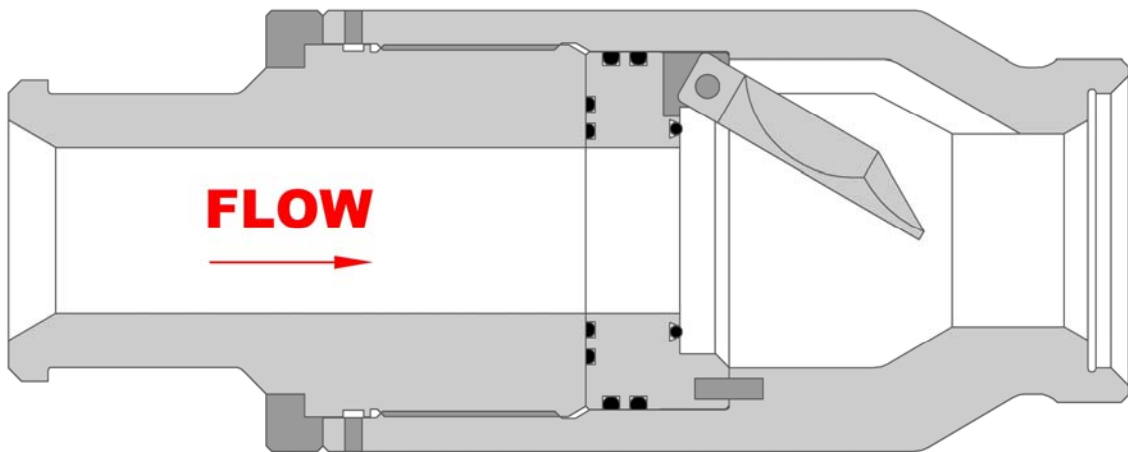


CHECK VALVE

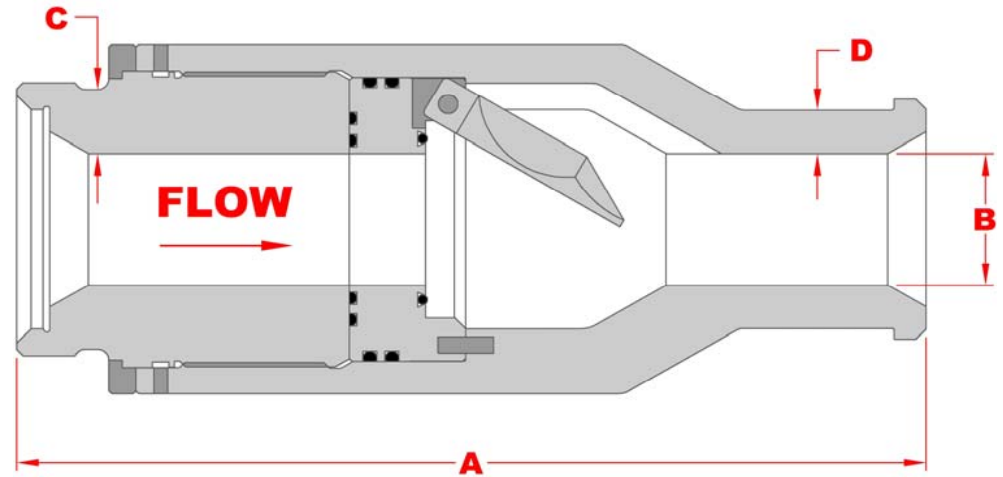
MODEL JHS-CV1



STANDARD FLOW
FROM THREAD TO PLAIN



REVERSE FLOW
FROM PLAIN TO THREAD



CHECK VALVE

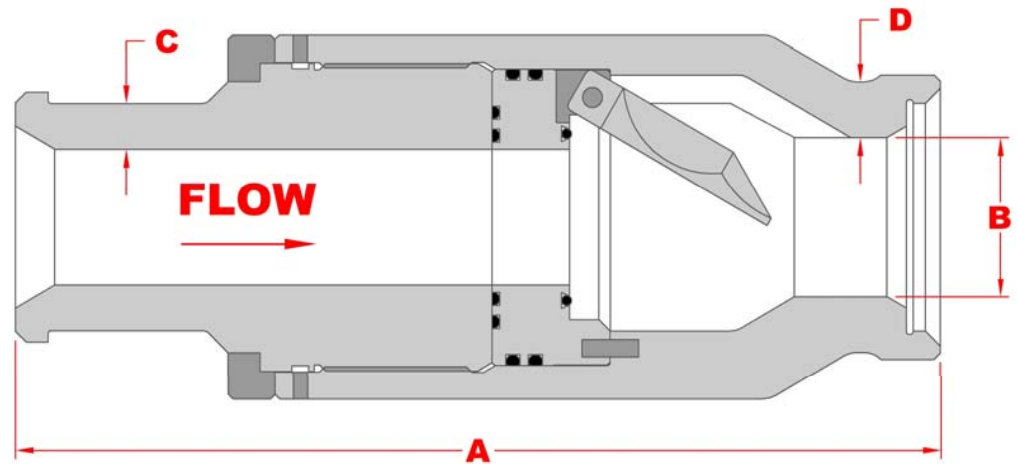
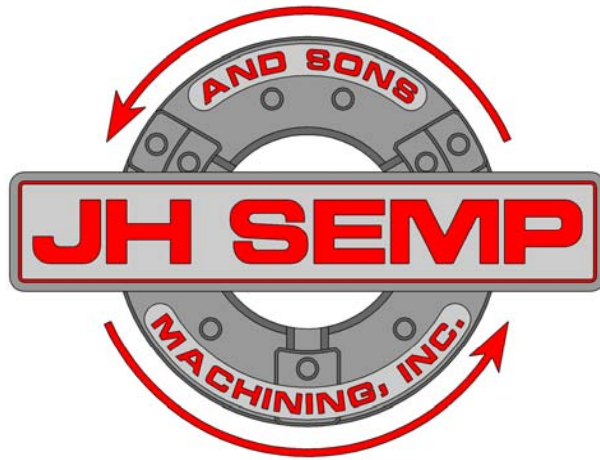
MODEL JHS-CV1

STANDARDS

STANDARD FLOW

FROM THREAD TO PLAIN

ASSEMBLY PART NUMBER	60-105-10-00	60-115-10-00	60-215-10-00	60-310-10-00	60-315-10-00	60-406-10-00	60-410-10-00
CONNECTION AND SIZE	1" - 1502	1 1/2" - 1502	2" - 1502	3" - 1002	3" - 1502	4" - 602	4" - 1002
DIMENSIONS	A	13.50"	13.50"	20.25"	20.50"	20.50"	20.50"
	B	1.00"	1.00"	1.75"	2.50"	2.50"	3.00"
DESIGN FACTOR	2.00	2.00	2.00	2.00	2.00	2.00	2.00
MIN. WALL THICKNESS (C)	.910"	.910"	.875"	.970"	.970"	1.22"	1.22"
SAFETY FACTOR AT C	4.66	4.66	3.60	3.79	2.53	8.00	4.80
MIN. WALL THICKNESS (D)	.690"	.690"	.545"	.750"	.750"	1.00"	1.00"
SAFETY FACTOR AT D	4.20	4.20	2.70	3.94	3.94	5.77	3.46
MAX. WORKING PRESSURE	15,000 PSI	15,000 PSI	15,000 PSI	10,000 PSI	15,000 PSI	6000 PSI	10,000 PSI
TEST PRESSURE	22,500 PSI	22,500 PSI	22,500 PSI	15,000 PSI	22,500 PSI	9,000 PSI	15,000 PSI



CHECK VALVE

MODEL JHS-CV1

STANDARDS

REVERSE FLOW

FROM PLAIN TO THREAD

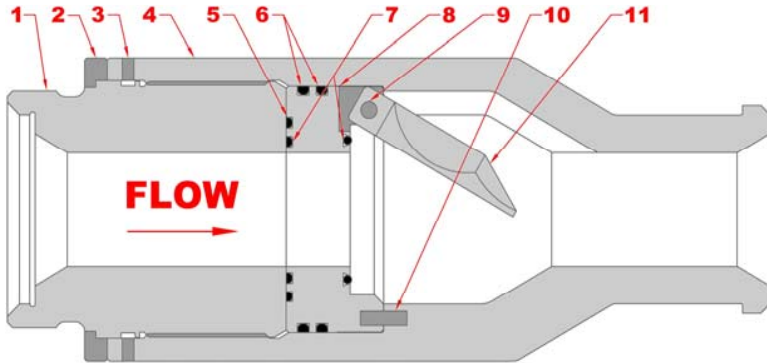
ASSEMBLY PART NUMBER	60-105-10-00	60-115-10-00	60-215-10-00	60-310-10-00	60-315-10-00	60-406-10-00	60-410-10-00
CONNECTION AND SIZE	1" - 1502	1 1/2" - 1502	2" - 1502	3" - 1002	3" - 1502	4" - 602	4" - 1002
DIMENSIONS	A	13.50"	13.50"	20.25"	20.50"	20.50"	20.50"
	B	1.00"	1.00"	1.75"	2.50"	2.50"	3.00"
DESIGN FACTOR	2.00	2.00	2.00	2.00	2.00	2.00	2.00
MIN. WALL THICKNESS (C)	.690"	.690"	.545"	.750"	.750"	1.00"	1.00"
SAFETY FACTOR AT C	4.20	4.20	2.70	3.94	3.94	5.77	3.46
MIN. WALL THICKNESS (D)	.910"	.910"	.875"	.970"	.970"	1.22"	1.22"
SAFETY FACTOR AT D	4.66	4.66	3.60	3.79	2.53	8.00	4.80
MAX. WORKING PRESSURE	15,000 PSI	15,000 PSI	15,000 PSI	10,000 PSI	15,000 PSI	6000 PSI	10,000 PSI
TEST PRESSURE	22,500 PSI	22,500 PSI	22,500 PSI	15,000 PSI	22,500 PSI	9,000 PSI	15,000 PSI



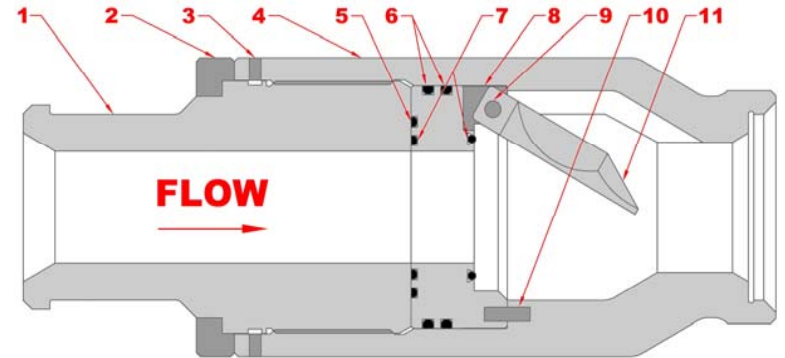
CHECK VALVE

MODEL JHS-CV1

PARTS LIST



STANDARD FLOW
FROM THREAD TO PLAIN



REVERSE FLOW
FROM PLAIN TO THREAD

ASSEMBLY PART NUMBER			60-105-20-00	60-115-20-00	60-215-20-00	60-310-20-00	60-315-20-00	60-406-20-00	60-410-20-00	
CONNECTION AND SIZE			1" - 1502	1 1/2" - 1502	2" - 1502	3" - 1002	3" - 1502	4" - 602	4" - 1002	
ITEM	QTY	DESCRIPTION	PART NUMBER							
1	1	INLET BODY (PIN)	STANDARD	60-105-11	60-115-11	60-215-11	60-310-11	60-315-11	60-406-11	60-410-11
			REVERSE	60-105-12	60-115-12	60-215-12	60-310-12	60-315-12	60-406-12	60-410-12
2	1	LOCK NUT	60-100-31	60-100-31	60-200-31	N/A	N/A	N/A	N/A	
3	4	SET SCREW	N/A	N/A	N/A	60-300-32	60-300-32	60-300-32	60-300-32	
4	1	MAIN BODY	STANDARD	60-105-21	60-115-21	60-215-21	60-310-21	60-315-21	60-406-21	60-410-21
			REVERSE	60-105-22	60-115-22	60-215-22	60-310-22	60-315-22	60-406-22	60-410-22
5	1	* O-RING	N/A	N/A	N/A	60-300-33	60-300-33	60-400-33	60-400-33	
6	2	* O-RING	N/A	N/A	N/A	60-300-34	60-300-34	60-400-44	60-400-44	
7	1 or 2	* O-RING	60-100-36 (1)	60-100-36 (1)	60-200-36 (1)	60-300-36 (2)	60-300-36 (2)	60-400-36 (2)	60-400-36 (2)	
8	1	* FLAPPER SEAT	N/A	N/A	N/A	60-300-35	60-300-35	60-400-35	60-400-35	
9	1	* FLAPPER PIN	60-100-37	60-100-37	60-200-37	60-300-37	60-300-37	60-400-37	60-400-37	
10	1	* SEAT PIN	N/A	N/A	N/A	60-300-38	60-300-38	60-400-38	60-400-38	
11	1	* FLAPPER	60-100-39	60-100-39	60-200-39	60-300-39	60-300-39	60-400-39	60-400-39	
12	1	* REPAIR KIT	60-100-50	60-100-50	60-215-50	60-300-50	60-300-50	60-400-50	60-400-50	